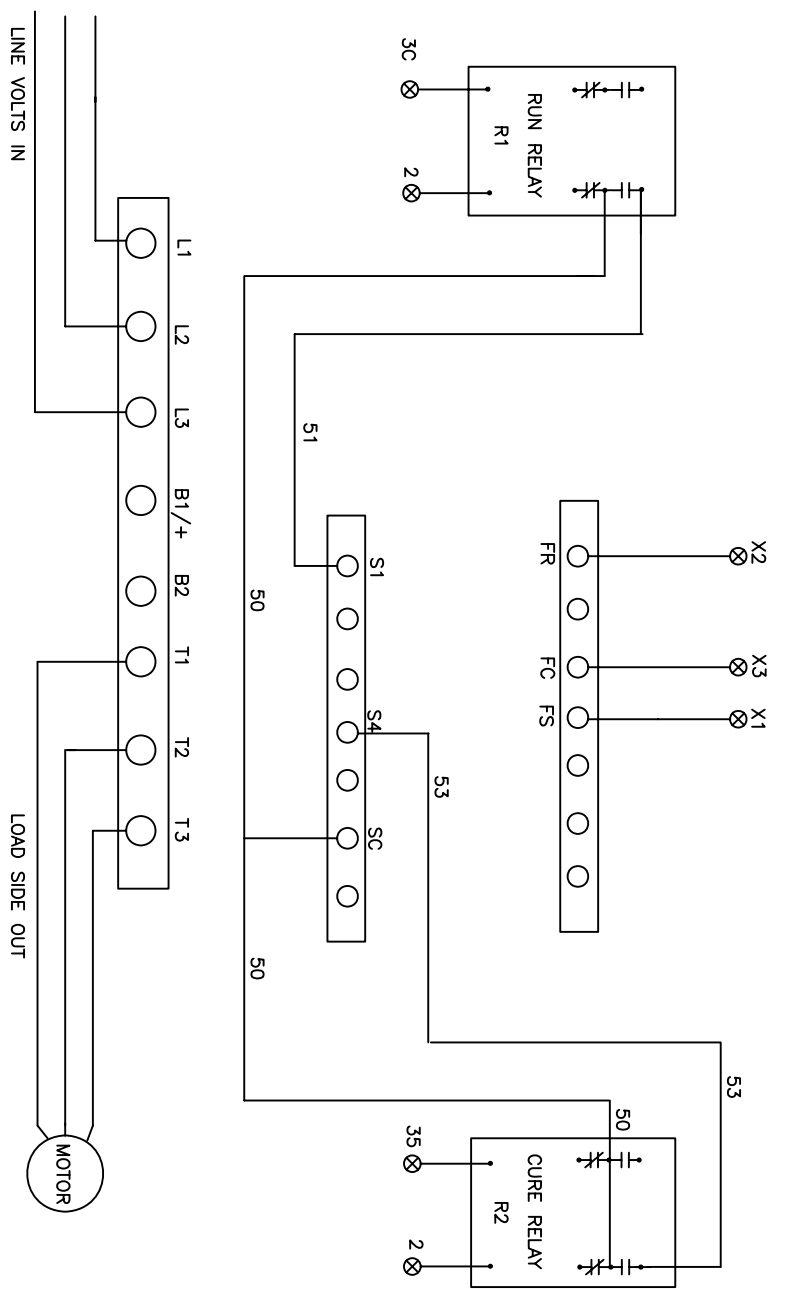


4	3	2	1
4	3	2	1
4	3	2	1
4	3	2	1

REVISION	ZONE	DESCRIPTION	DATE	DRWN	APVD
SHT 2	SHT 1	DRR-1479	FEB 5, 07	JM	SR
-	A	DRR-1516	FEB 22 07	SR	
-	B	DRR-1529	MAR 15, 07	JM	

WIRES CONNECTED TO CONTROL PANEL: 2, 3C, 3S
 SHIELDED: X1, X2, X3
 WIRES GOING INTO VFD MUST BE SHIELDED AND ONE END GROUNDED



PROGRAM PARAMETERS

NO. 001=3, 003=1, 012=MAX VOLTS(NAME PLATE -10%)
 036=MOTOR FLA, 081=1, 082=5
 019=7, 020=10.0, 021=50.0, 022=100, 034=50, 053=11

DESIGNED BY/DATE:	1. MEC/CA	DRAWN BY/DATE:	FEB. 5, 07
CHECKED BY/DATE:		REVIEWED BY/DATE:	
TOLERANCES AS NOTED		3 DECIMAL PLACES ±.02	
ANGLES ±1°		APPROVED BY/DATE:	
FINISH:		THIS DRAWING IS THE PROPERTY OF YASKAWA ELECTRIC AMERICA, INC. AND IS TO BE RETURNED TO YASKAWA ELECTRIC AMERICA, INC. UPON REQUEST.	
TITLE:	YASKAWA V7 2 POT VFD		
SCALE:	C	DWG TYPE:	ENG
SIZE:	NONE	DRAWING NUMBER:	06189
LOCATION:	B/FLO	SHEET:	1 OF 1